



## Secure Power for the 1st Infantry Division Network Operations Center Leighton Barracks, Würzburg



20 feet Container with electrical operating room for UPS +Generator



1st Infantry Division

In the past power failures have caused us immense problems. Thus, we were looking for a secure power solution that would supply us with an absolutely uninterrupted source of power for a longer period of time (days) for our Network Operations Centre. These were the requirements laid out by Mr Richard Wissuchek, DNOC NCOIC, „we are working with high availability data, and a power failure has disastrous consequences“.



Richard Wissuchek, DNOC NCOIC

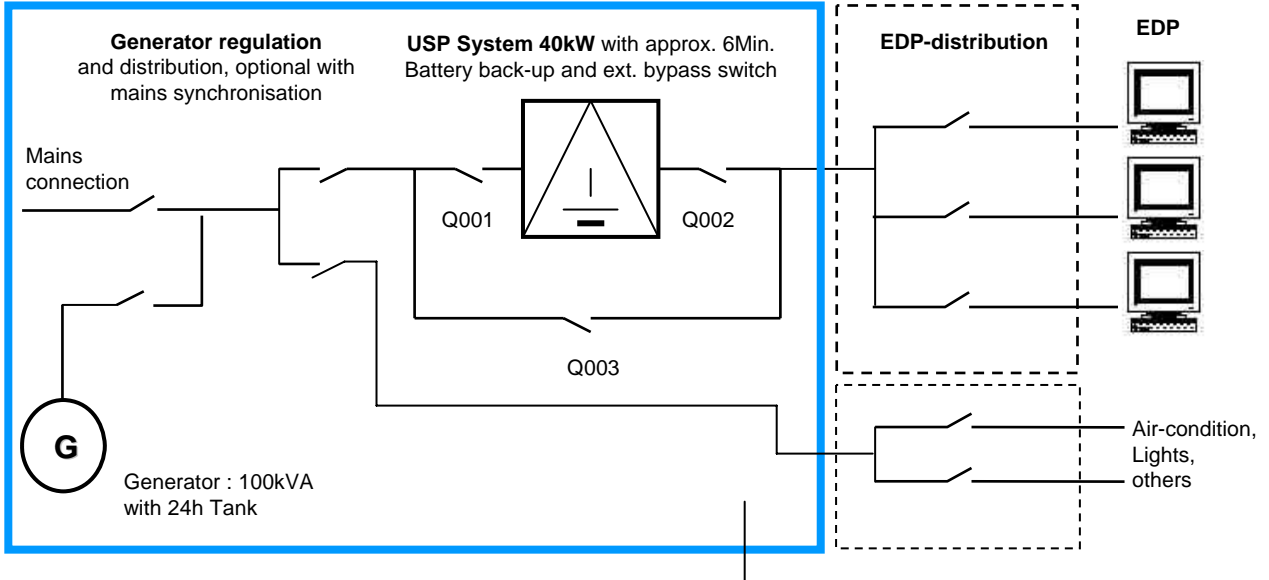
„We decided on the secure power container solution from E-TEC. This solution did not require any structural changes to our building, we have the highest availability and a very high flexibility with regard to location. We are very impressed with the All-in-one solution, and we intend to implement similar solutions in other locations“, says Mr Richard Wissuchek.

### The following requirements were established:

1. Highest uninterruptible Power availability 24 hours a day.
2. Location flexibility, also for possible relocation purposes in the future.
4. The UPS section must be expandable also for a possible redundant extension.
5. The secure power supply must also supply the Air-conditioning.
6. Short delivery and installation time.
7. Fulfilment of all soundproofing and emission requirements.
8. Service und Support 24h, 7 days a week.



**Circuit diagram for the total secure power solution**



20" Container with the built-in components



Generator 100kVA



UPS-System 40kW with ventilation System and / or Air conditioning



Generator regulation and distribution

**The container is equipped with the following:**

- Complete sound attenuation ( 65db (A) 7m
- Oil-leak proof floor
- Lights and sockets in each room
- High-performance attenuator
- Manual pump for filling
- Bird- and weather protection guard
- Network connection for remote monitoring
- Power Management Software
- Separate UPS- and Generator room
- Leakage warning device
- Fire extinguisher, hand lamp
- Sabotage proof cable connection
- Heating and ventilation in Generator room
- Ventilation / Air conditioning in UPS room
- Tank content monitoring
- Vandalism protection

[www.e-tecpowerman.de](http://www.e-tecpowerman.de)

[www.e-tecpowerman.com](http://www.e-tecpowerman.com)

**E-TEC Standorte / Locations**

E-TEC Power Management Ltd  
Unit A6 Bymac Centre  
Northwest Business Park  
Blanchardstown, Dublin 15  
Tel: +353 (0)1 820 5999  
Fax: +353 (0)1 820 5772  
E-mail: [info@e-tecpowerman.com](mailto:info@e-tecpowerman.com)

E-TEC Power Management Ltd  
21 Hercules Way  
Aerospace Boulevard  
Farnborough Hants, GU14 6UU  
Tel: +44 (0) 1252 744 800  
Fax: +44 (0) 1252 744 930  
E-mail: [mail@e-tecpowerman.com](mailto:mail@e-tecpowerman.com)

E-TEC Power Management GmbH  
Industriestraße 59a  
40764 Langenfeld  
Tel: +49 (0) 2173 3941 0  
Fax: +49 (0) 2173 3941 200  
E-mail: [post@e-tecpowerman.de](mailto:post@e-tecpowerman.de)

E-TEC Power Management B.V.  
Schuit 8a  
NL-1724 BD Oudkarspel  
Tel: +31 (0) 72 514 1040  
Fax: +31 (0) 72 514 1041  
E-mail: [nl@e-tecpowerman.com](mailto:nl@e-tecpowerman.com)